



## GRIPALON System

Gripalon System consists of the following elements:

1) **Gripalon:** "C"-shaped riveted connectors. The profile is supplied with a special foam that lets you place on it and nail or screw bayonets without being eliminated. In any case, can be easily removed without damaging the environment. This is a clear advantage over other systems. (Important for all companies certified to ISO 14000).

The parts are manufactured with corrosion protection by zinc.

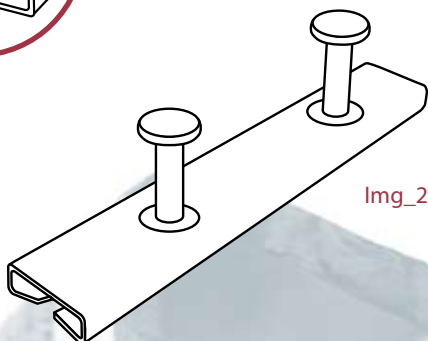
On request: hot dip galvanized.

Img\_1 Details of Gripalon profile milling.

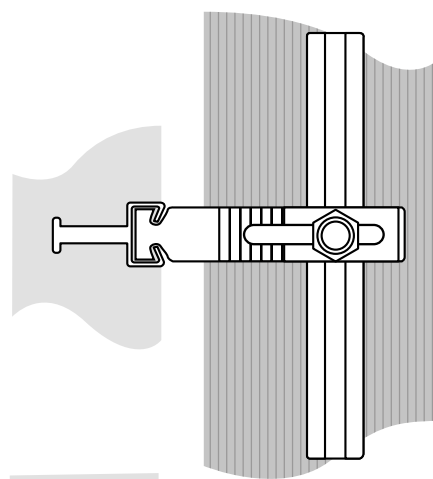
Img\_2 Gripalon.

Img\_3 Plan and elevation Gripalon with Bayonet System, Brake and anchor bolt head.

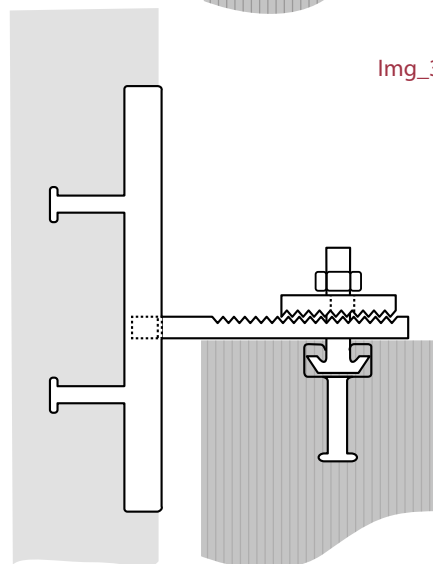
Img\_1



Img\_2



Img\_3



### GRIPALON RAIL 40/22 ANCHOR HEAD

#### Tecnical features

Description	Ref.	Lenght	Thickness	Conector lenght mm	Conector Diameter mm	Traction Vertical KN	Traction Horizontal KN	Safe Coef.	Finished
GRIPALON	GR200-37	200	2,5	37	10	8,5	10	2,5	Zink
GRIPALON	GR200-50	200	2,5	50	10	8,5	10	2,5	Zink
GRIPALON	GR200-100	200	2,5	100	10	8,5	10	2,5	Zink
GRIPALON	GR200	200	2,5	no conector	no conector	--	--	--	Zink

Note: All "GRIPALON" indicated can be milled. See Img\_1.



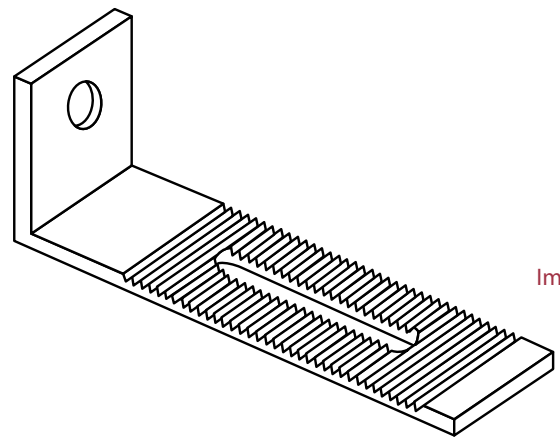
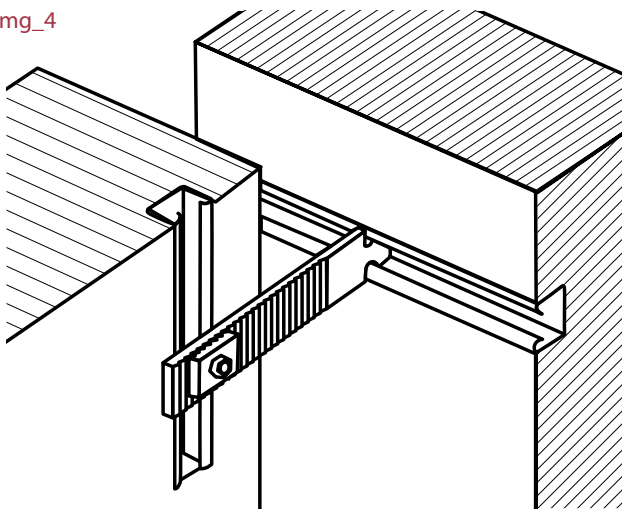
2.1) **Bayonet:** Tire-headed metal anchor, or in a "T", with oblong slot (which can absorb the different distances between gripalones) and teeth manufactured by chip removal.

Img\_4 Mounted Gripalon with Bayonet System, Brake & Screw.

Img\_5 Bayonet head and brake anchor details.

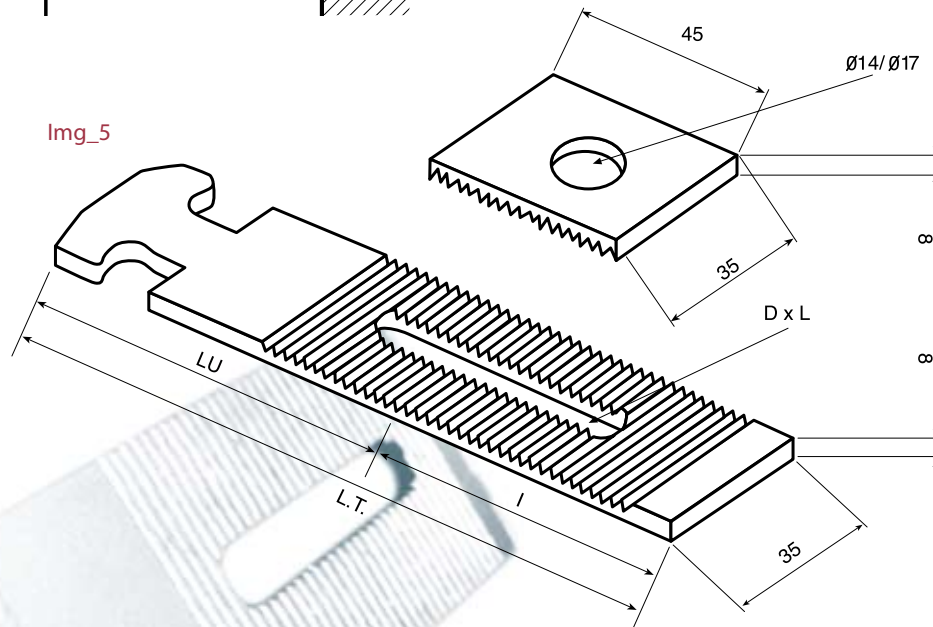
Img\_6 Folded bayonet detail.

Img\_4



Img\_6

Img\_5



## BAYONET RAIL 40/22 ANCHOR HEAD

### Tecnical Features

Referencer Nº	Load KN	Dimensions			Torn hole D x L
		LT	LU	I	
B35102A	7.0	102	61	41	17x53
B35122A	7.0	122	61	41	17x53
B35152A	7.0	152	89	63	17x90
B35182A	7.0	182	119	63	17x90
B35250A	7.0	250	187	63	17x90
B35300A	7.0	300	237	63	17x90

2.2) **Angular:** metal rim folded, oblong or slotted holes and teeth manufactured by chip removal. Reinforcement brackets soldiers.

3) **Break:** square metal washer with central circular hole and teeth manufactured by chip removal.

4) **Anchor bolt head..**  
Supplied in different metrics and lengths.

The parts are manufactured with corrosion protection by zinc. On request, hot dip galvanized or stainless steel.

Img\_7 View Angle Teeth Simple.

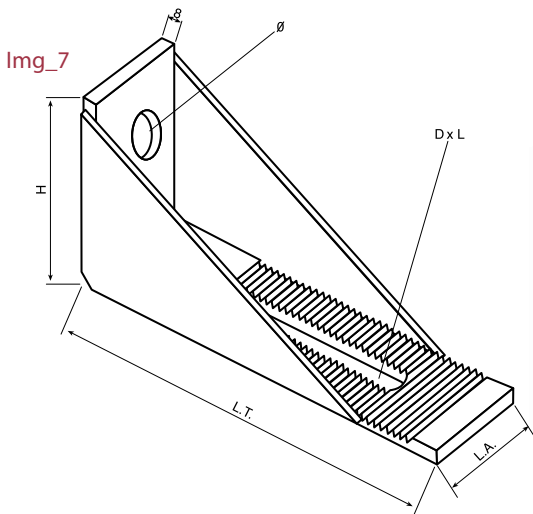
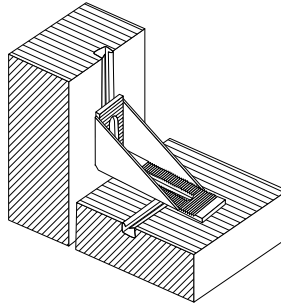
Img\_8 Brake details.

Img\_9 View of Gripalon system with double tooth Angle.

Img\_10 View of Double Teeth Angle.

Img\_11 Anchor head screw detail.

Img\_9

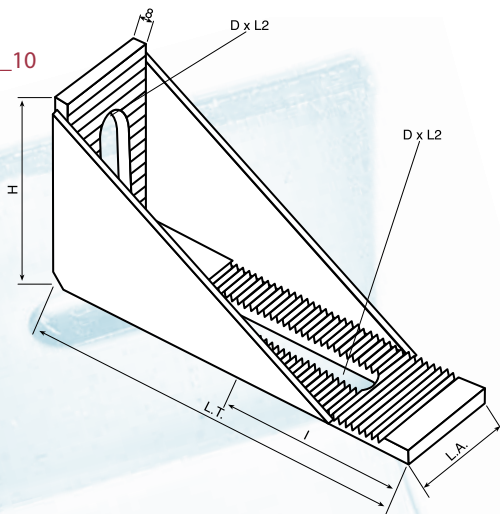


### Single tooth ANGLE

Load 12 Kn

Tecnical Features					
L.T.=mm	H=mm	L.A.=mm	l=mm	DxL	Ø
170	60	60	70	17x90	17
210	60	60	70	17x90	17
250	60	60	70	17x90	17
110	100	60	70	17x53	17
150	100	60	70	17x90	17
210	100	60	70	17x90	17

Img\_10



### Double tooth ANGLE

Load 15 Kn

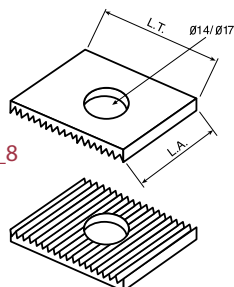
Tecnical Features						
L.T.=mm	H=mm	L.A.=mm	l=mm	l2=mm	DxL	DxL2
150	100	80	70	40	17x90	17x53
170	155	80	70	70	17x90	17x90
210	155	80	70	70	17x90	17x90

The angle can be manufactured in various sizes according to customer requirements.

### Break RINGS

L.T.=mm	L.A.=mm	Ø
45	35	14
45	35	17
50	50	17

Img\_8



### HEAD ANCHOR SCREW PROFILE 40/22

Material: UNE36032-8KDF 4/6

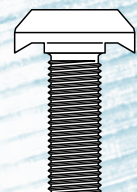
References (Metric):

M12x40, M12x60, M12x90, M12x110

M14x40, M14x60, M14x140, M14x150

M16x40, M16x50

Stainless A-2 (Aisi 304) On request



Img\_11